

TRONIX

guided by light



LED Batten Light

136-300 & 136-301



Introduction

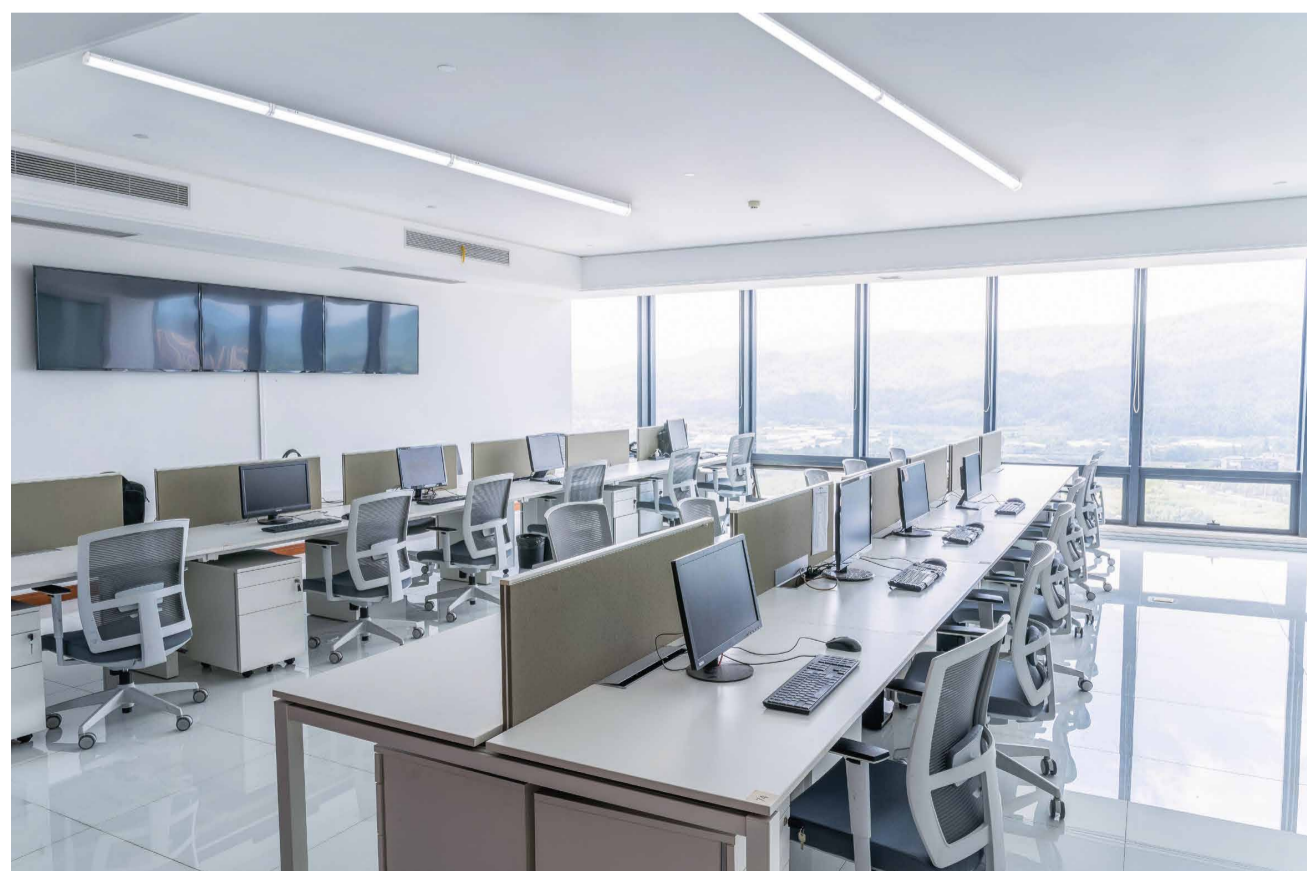
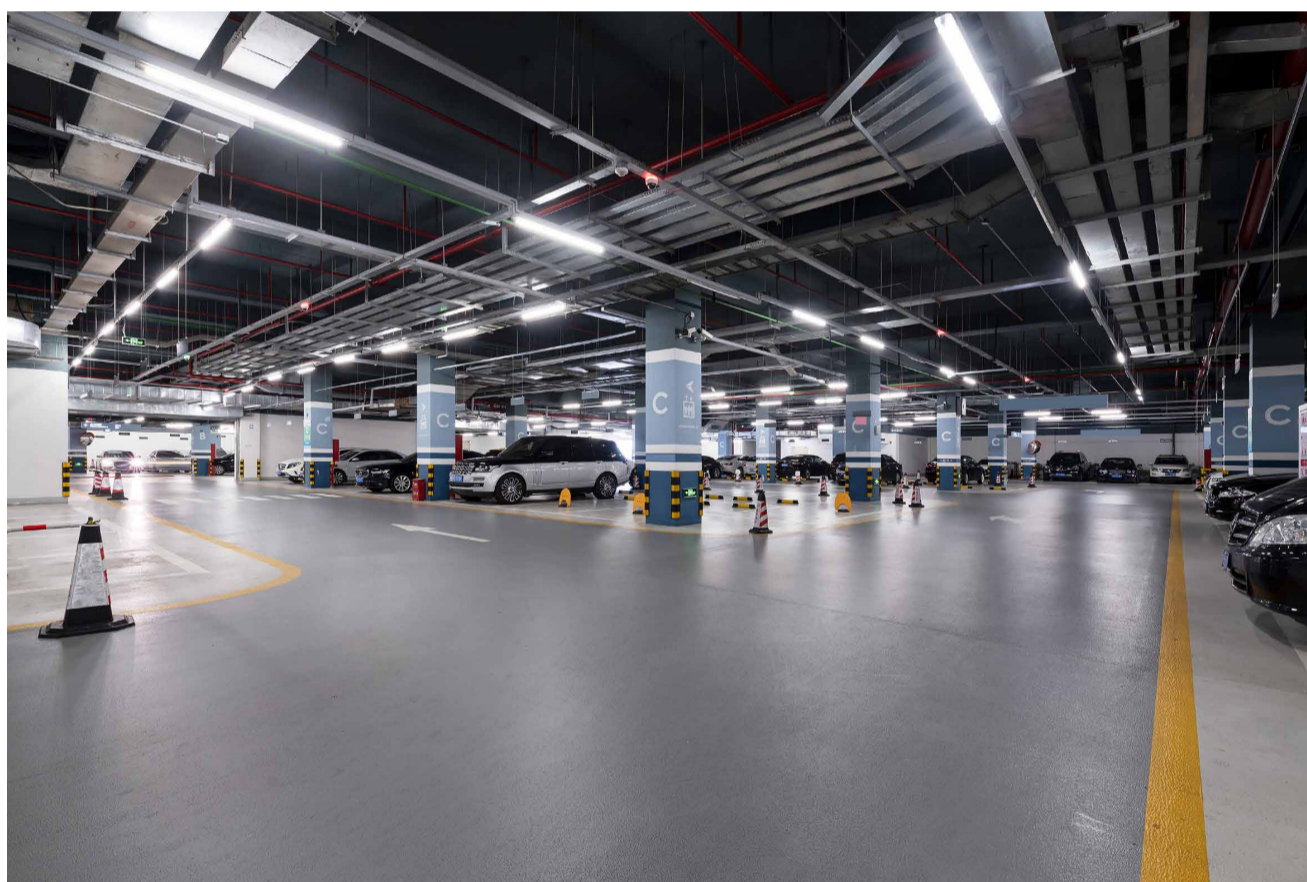
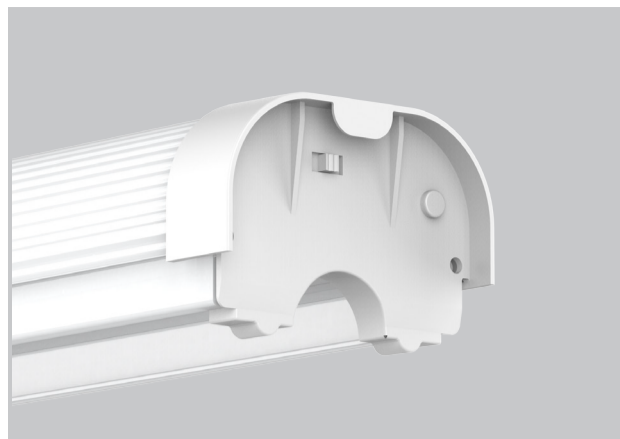
The design of batten realizes simple disassembly with 4 fast buttons. Adopts high lumen SMD LED and high light transmittance PC shade. Easy installation and maintenance with high cost performance, 600mm, 1200mm, 1500, 1800mm size optional.

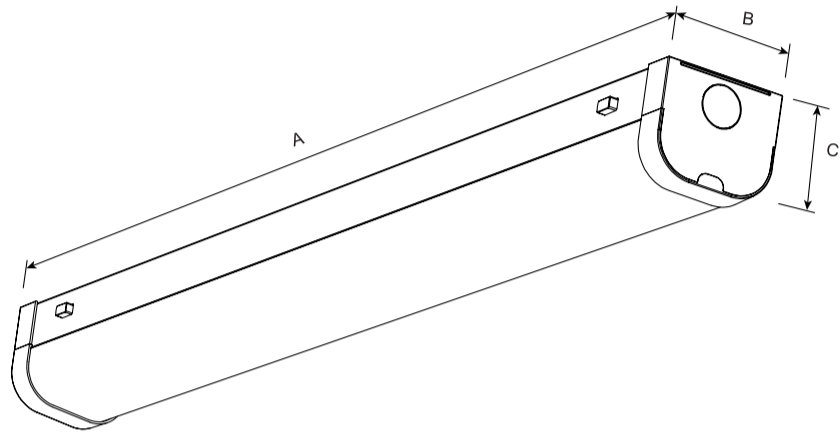
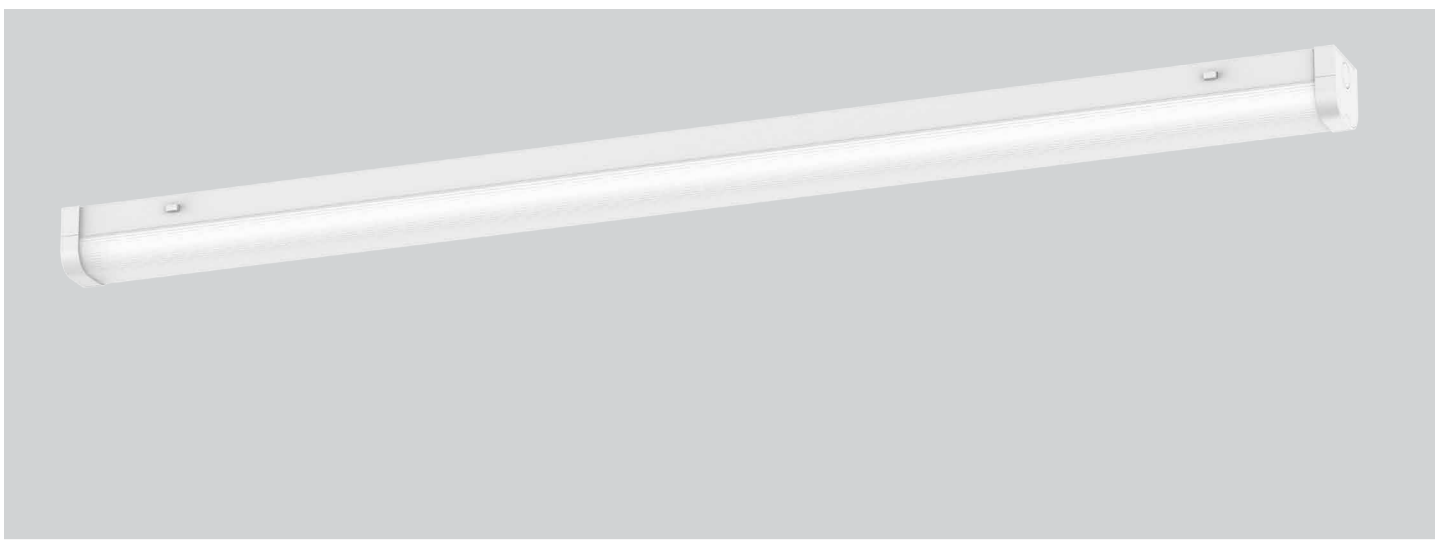
Features

- Loopin and Loopout function
- 4 fast buttons in bracket for fast disassembly.
- High lumen efficiency, 110lm/w
- Interchangeable CCT(3000/4000/5700k) with slide switch.
- IK08 impact protection.

Application Areas

Widely used in office, meeting room, hotel, school etc.





Measurement

Model	Dimension(mm)			Size(mm)	Product Weight (Kg)		Package weight (Kg)		Carton Size(cm)	Qty/CTN
	A	B	C		N.W/PC	G.W/PC	N.W/CTN	G.W/CTN		
136-300	603	71	64	603*71*64	0.65	0.78	7.8	11	67*32.8*22.7	12PCS
136-301	1203	71	64	1203*71*64	1.28	1.53	15.4	20.8	127*32.8*22.7	12PCS

Technical Data Sheet

Model No.	136-300	136-301
Dimension(mm)	603*71*64	1203*71*64
Cutout (mm)	-	-
Watt(W)	20W	40W
Rated Input Voltage(V)	AC230V	
Input Voltage(V)	AC220-240V	
LED Module Input	-	
Light Source	SMD	
SDCM	<6	
CCT(K)	3000K + 4000K + 5700K	
CCT Selection DIP Switch	YES	
Luminous Flux (lm) ±5%	3-CCT 1800~2200	4000~4600
CRI	Ra>80	
Beam Angle (°)	120°	
UGR	-	
LED Driver	Built-in	
Dimming Option	No	
Electrical Class	Class I	
Ingress Protection (IP Rating)	IP20	
Impact Resistance (IK Rating)	IK08	
Product Finishing(Base)	White RAL 9016	
Materials of Optics	PC	
Materials of Housing	PC / IRON	
Lifetime (hr)	50,000h	
Glow wire test (°C)	750°C	
Operating Temp. (°C)	-20°C ~45°C	
Storage Temp. (°C)	-20°C ~65°C	
Installation	Surface mount	

Driver Datasheet

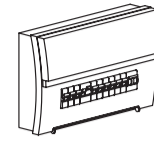
Total load wattage		20W	40W
Output	Output Voltage range	DC60-72V	DC65-82V
	Rated output current	260mA	500mA
	Line Regulation		
	Setup, Rise Time	≤0.5S	
	Flickering Index	-	
Input	Input Voltage	AC230V	
	Rated Input Voltage(V)	AC200-240V	
	Frequency	50/60Hz	
	Input Current	≤0.12A	≤0.23A
	Rated Input Current	0.11A	0.19A
	Power Factor	0.9	
	THD	-	≤20%
	Efficiency	85%	89%
	No load wattage	<0.5W	
Protection	Short circuit protection	Pass	
	Over voltage protection	Pass	
	Over temperature protection	Pass	
Safety & EMC	Withstand voltage	-	
	Isolation Resistance	-	
	Surge	IEC61000-4-5 (L-N:0.5KV, L/N-PG:1KV)	IEC61000-4-5 (L-N:1KV, L/N-PG:2KV)
	EMC Emission	EN55015, EN61000-3-2	
EMC Immunity	EN61000-4-2,3,4,5,6,8,11; EN61547		

Installation Procedure

WARNING



1. Switch off before installation / maintenance.
2. Switch on only after complete installation and examination of the circuit.
3. Professional electrician for installation and maintenance only.



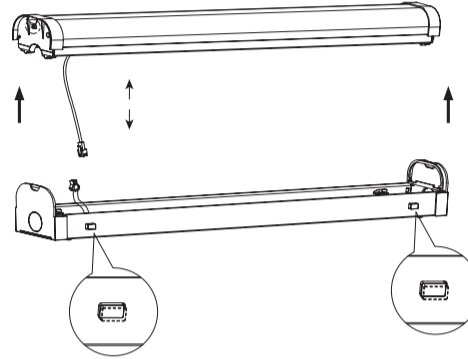
**Turn Off
Power Supply**

Turn Off power supply before starting any installation. Read instructions & check you have all the tools & accessories to complete the installation correctly.

How to install

Step 1

Press the snap-on button and remove the cover.

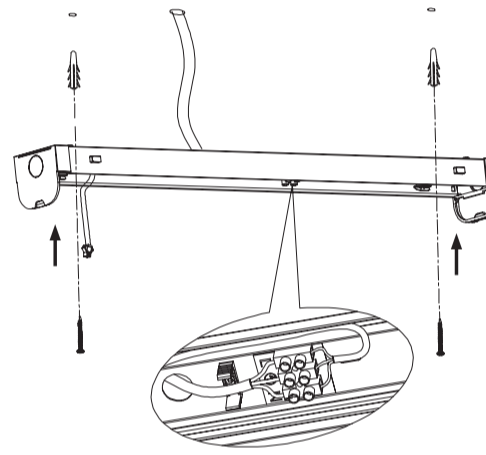


Step 2

- (A) wiring diagram only for Non-emergency function light
(B) wiring diagram only for Emergency function light

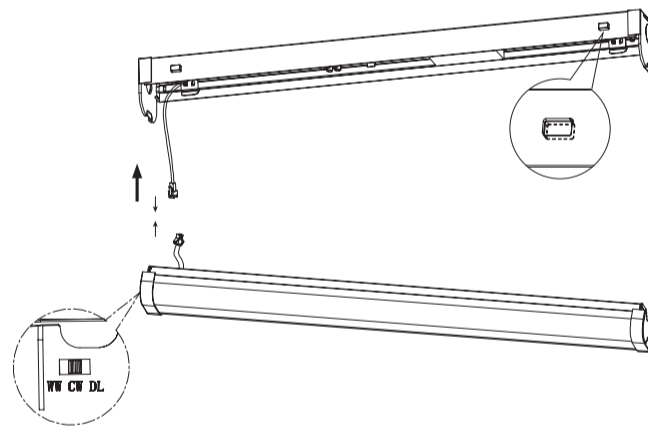


Knock plastic anchor into ceiling. Connect the cable to terminal block.
Fix the base to the ceiling.



Step 3

Slide the preferred CCT, connect the DC plug. Press the snap-on button and fix the cover to the base.



Step 4

Installation complete.

