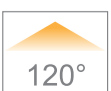


# **TRONIX**

guided by light



## LED Batten Light Flat 136-310 & 136-311



# Introduction

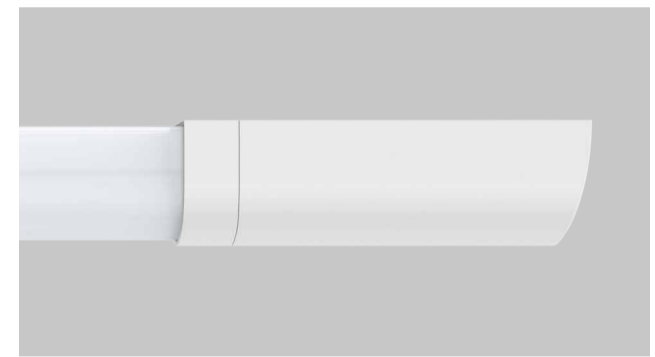
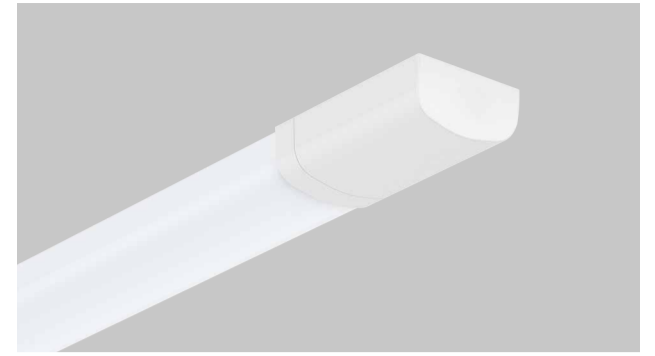
This batten light is a compact design, it's adopted high lumen 2835 SMD chip and high transmittance PC shade to create a uniform light output. Screwless design on back side with better appearance, interchangeable CCT function meet more application demand. Flicker free driver ensures a long lifespan, it's a great option for various applications.

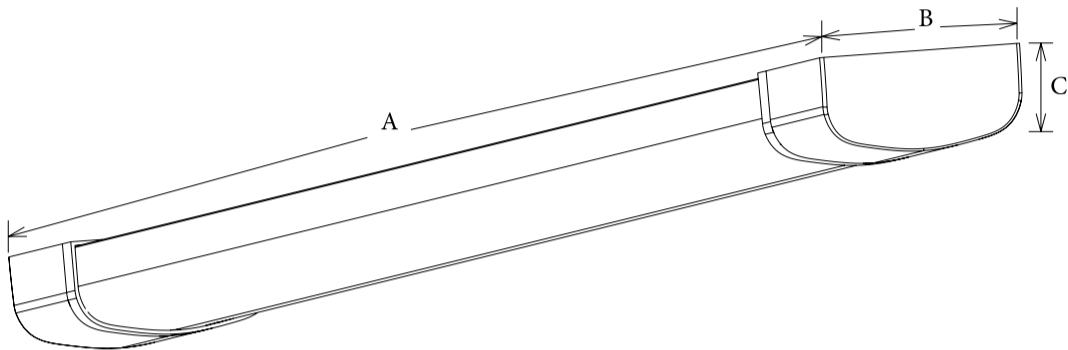
# Features

- High lumen efficiency , 110lm/W
- Compact design with ingenious size
- Interchangeable CCT(3000K+4000K+5700K) with slide switch
- Flicker free internal drive .

# Application Areas

It is designed for general lighting applications such as workshop, showroom, warehouse, factory, supermarket etc.





## Measurement

Code	Dimension(mm)			Size(mm)	Product Weight (Kg)		Package weight (Kg)		Carton Size(cm)	Qty/CTN
	A	B	C		N.W/PC	G.W/PC	N.W/CTN	G.W/CTN		
136-310	690	56.5	27.5	690*56.5*27.5	0.26	0.37	8.9	10	77.5x28.5x24.5	24PCS
136-311	1200	56.5	27.5	1200*56.5*27.5	0.39	0.52	12.5	13.8	128.5x28.5x24.5	24PCS

## Technical Data Sheet

Model No.	136-310	136-311	
Dimension(mm)	690*56,5*27,5	1200*56,5*27,5	
Cutout (mm)	-	-	
Watt(W)	18W	30W	
Rated Input Voltage(V)	AC230V		
Input Voltage(V)	AC200-240V		
LED Module Input	-		
Light Source	SMD2835		
SDCM	<6		
CCT(K)	3000K + 4000K + 5700K		
CCT Selection DIP Switch	YES		
Luminous Flux (lm) ±5%	3-CCT	1450~1750	3100~3400
CRI	Ra>80		
Beam Angle (°)	120°		
UGR	-		
LED Driver	Built-in		
Dimming Option	No		
Electrical Class	Class II		
Ingress Protection (IP Rating)	IP20		
Impact Resistance (IK Rating)	IK06		
Product Finishing(Base)	White RAL 9016		
Materials of Optics	PC		
Materials of Housing	PC		
Lifetime (hr)	30,000h		
Glow wire test (°C)	750°C		
Operating Temp. (°C)	-20°C ~45°C		
Storage Temp. (°C)	-20°C ~65°C		
Installation	Surface mount		

## Driver Datasheet

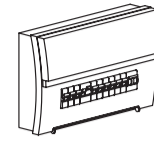
Total load wattage		20W	40W
Output	Output Voltage range	DC370-420V	DC370-420V
	Rated output current	40mA	70mA
	Line Regulation	±5%	
	Setup, Rise Time	≤0.5S	
	Flickering Index	0.5%(NO RISK)	
Input	Input Voltage	AC230V	
	Rated Input Voltage(V)	AC200-240V	
	Frequency	50/60Hz	
	Input Current	≤0.10A	≤0.16A
	Rated Input Current	0.09A	0.15A
	Power Factor	0.9	
	THD	≤20%	≤20%
	Efficiency	≥90%	≥90%
	No load wattage	<0.5W	
Protection	Short circuit protection	Pass	
	Over voltage protection	Pass	
	Over temperature protection	Pass	
Safety & EMC	Withstand voltage	-	
	Isolation Resistance	-	
	Surge	IEC61000-4-5 (L-N:0.5KV, L/N-PG:1KV)	IEC61000-4-5 (L-N:1KV, L/N-PG:2KV)
	EMC Emission	EN55015, EN61000-3-2	
	EMC Immunity	EN61000-4-2,3,4,5,6,8,11; EN61547	

# Installation Procedure

## WARNING



1. Switch off before installation / maintenance.
2. Switch on only after complete installation and examination of the circuit.
3. Professional electrician for installation and maintenance only.



Turn Off  
Power Supply

Turn Off power supply before starting any installation. Read instructions & check you have all the tools & accessories to complete the installation correctly.

### How to install

