



Product Specification 215-302

Features:

- *Constant voltage design (C.V. mode)
- *90-264VAC input .
- *Fully encapsulated with IP67 level
- *100% full load burn-in testing
- *Cooling by free air convection
- *Protections: Short circuit / Over loading
- *Aluminum housing, abradable & easy for heat dissipation
- *Suitable for LED lighting and moving sign applications
- *2 years warranty



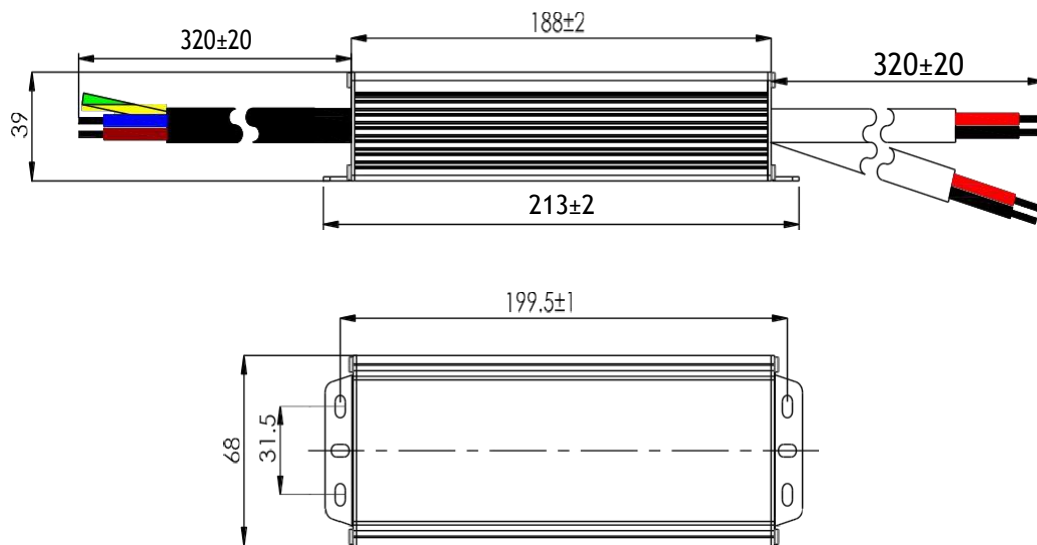
SPECIFICATION

MODEL		215-302
OUTPUT	DC Voltage	24V±0.5V
	Rated Current	4.16A
	Rated Power	100W
	Ripple & Noise	≤300mVp-p
	Hold up time	
INPUT	Voltage Range	100~240VAC
	Frequency Range	50/60Hz
	Input current	≤1.5A
	Power Factor	PF≥0.50
	Efficiency	≥86%
	Inrush current	Cold Start: 30A/115VAC , 65A/230VAC
	Leakage Current	≤0.75mA/240VAC
Protection	Over Loading	120~150%
	Short Circuit	Protection type: Hiccup mode, recovers automatically after fault condition is removed.
	High Temp	85°C±5°C (Shut down, re-power on to recover)
Voltage Resistance	Input-Output	AC 1.5KV/5mA 3s
	Input-Housing	AC 1.5KV/5mA 3s
Environment	Working Temp.	-25°C ~ +40°C
	Working Humidity	10-90% RH non-condensing
	Storage Temp.	-40°C ~ +60°C, 10~95%RH

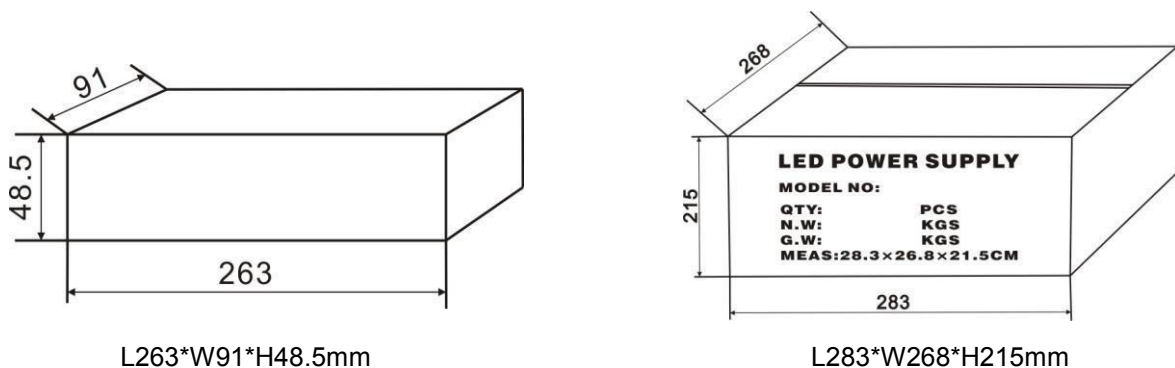
Cables	Input	VDE H03VV-F 3*0.75mm ² Black*320mm
	Output	VDE H05VV-F2*1.0mm ² White*320mm
Others	Housing Material	Aluminum Housing
	IP Rating	IP67
	Dimension	L213*W68*H39mm
	Packing	10.5Kg/10Pcs/ Carton
Note	<p>1. All parameters NOT specially mentioned are measured at 230VAC input, rated load and 25 of ambient temperature.</p> <p>2. Ripple & noise are measured at 20MHz of bandwidth by using a 12" twisted pair-wire terminated with a 0.1uf & 47uf parallel capacitor.</p> <p>3. The power supply is considered as a component that will be operated in combination with final equipment. Since EMC performance will be affected by the complete installation, the final equipment manufacturers must re-qualify EMC Directive on the complete installation again.</p> <p>4. Length of set up time is measured at first cold start. Turning ON/OFF the power supply may lead to increase of the set up time.</p> <p>5. Suitable for indoor use or outdoor use without direct sunlight exposure. Please avoid immerse in the water over 30 minutes.</p>	

Mechanical Specification

Unit: mm



Packing Specification



L263*W91*H48.5mm

Inner Box size

L283*W268*H215mm

Carton Size